

THE VAULT™

HYBRID LUBRICATION SYSTEM



*The only true way to protect your trailer bearings
is to secure them in The VAULT.*



UFP
UNIQUE FUNCTIONAL PRODUCTS

MAKERS OF **TRAILER**
Buddy®
PRODUCTS

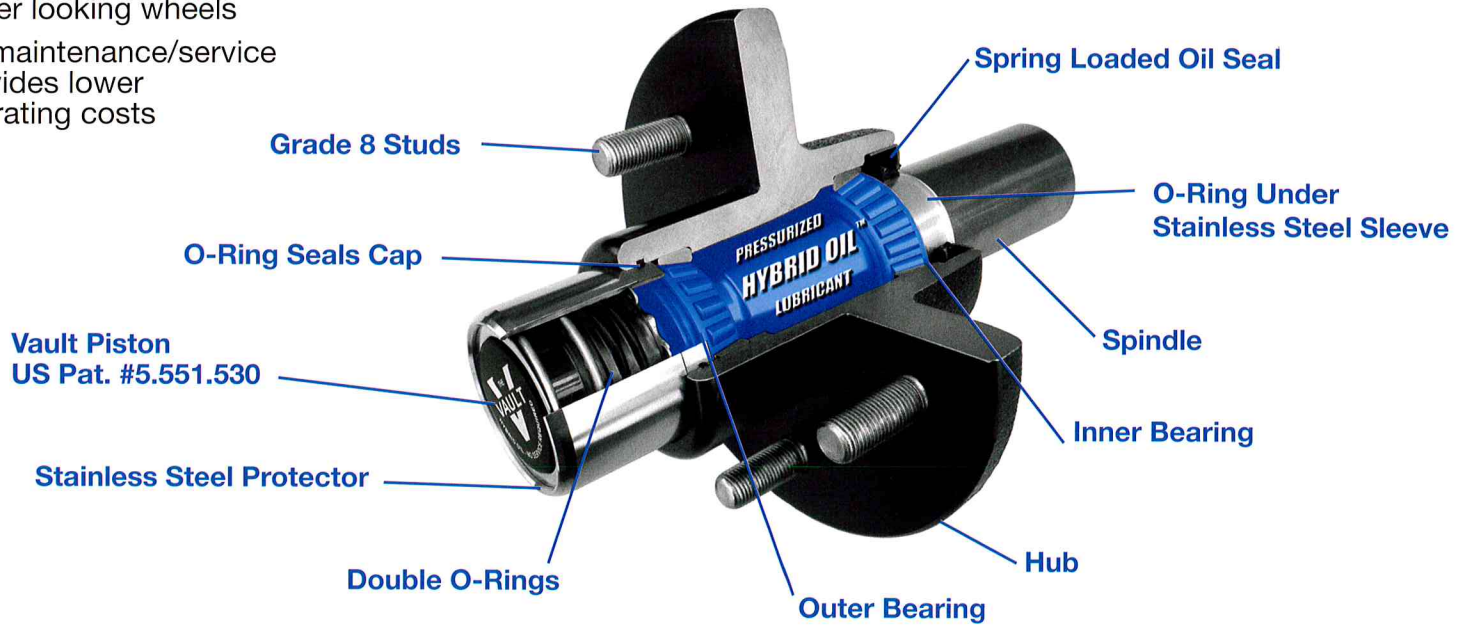
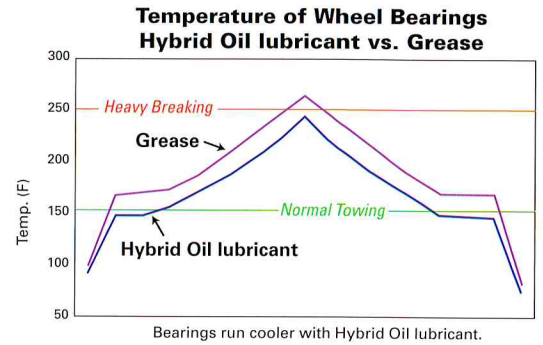
The Vault

Hybrid Lubrication Systems

The **VAULT "Hybrid Lubrication System"** uses a semi-fluid oil in a pressurized chamber to give you the ultimate in wheel bearing lubrication and protection. At ambient temperatures the Hybrid Oil lubricant is thick with a viscosity approaching grease. As the bearing temperature rises during towing, the lubricant thins out replenishing the bearings, reducing friction and dissipating heat. **No inspection, no maintenance and no service required.**

BENEFITS & FEATURES

- 10 Year (unlimited miles), warranty available
- Pressurized sealed chamber means nothing gets in or out
- Stainless steel components, high temperature piston
- Constantly replenishes the lubricant to the bearings
- Bearings run cooler due to reduced friction
- No visual inspection required
- No access hole in wheel centers allows for better looking wheels
- No maintenance/service provides lower operating costs



SEE THE VAULT DIFFERENCE – COMPARE

The VAULT	Grease	Oil
<p>All Advantages</p> <p>BEARINGS RUN COOLER</p> <p>NO INSPECTION REQUIRED</p> <p>NO MAINTENANCE REQUIRED</p> <p>NO SERVICE REQUIRED</p>	<p>Advantage</p> <ul style="list-style-type: none"> • Dependable system • Adheres to bearing • Won't leak out of hub • Works in pressurized systems <p>Disadvantage</p> <ul style="list-style-type: none"> • Bearings run hotter • Increased friction • Increased bearing wear • Doesn't replenish the lubricant to the bearings • Regular service required 	<p>Advantage</p> <ul style="list-style-type: none"> • Bearings run cooler • Reduced friction • Prolonged bearing life • Constantly replenishes lubricant to the bearings <p>Disadvantage</p> <ul style="list-style-type: none"> • Leaks are hard to control • Can't be used in pressurized systems • Complete loss of oil can lead to catastrophic failure • Regular service required

